



Workersbee
Official Whatsapp



Workersbee
Official Website

Suzhou Yihang Electronic Science & Technology Co., Ltd.

 info@workersbee.com

 <http://www.workersbee.com>

 **Group Headquarters:** 538 Fang Qiao Road, SIP-Xiangcheng
Cooperative Zone, Suzhou, China



Workersbee Product Brochure

World's Leading Provider of EV Charging Solutions

Contents

Culture

- Company Profile 003
- Milestone 004
- Certifications 004
- Our Markets 005
- Our Partners 005
- Our Advantages 005

EV Connector - Plugs

- GBT Charging Plugs- 007
- IEC Charging Plugs 013
- SAE Charging Plugs 020
- NACS Charging Plugs 023

EV Connector - Sockets

- Charging Sockets 026
- Dummy Sockets 032

EV Adapters

-034



Culture

Company Profile

Workersbee is a high-tech enterprise specializing in the research, development, production, and sales of electric vehicle charging plugs, portable EV chargers, and related components. The company was founded in 2007, with headquarters located at 538 Fangqiao Road, SIP-Xiangcheng Cooperative Zone, Suzhou, China. Additionally, Workersbee operates Wuxi Factory (No. 262 Deyu Road, Hongshan Street, Xinqiao District, Wuxi) and Shenzhen Factory (Building 17, Nangang Industrial Park, Shiyan Street, Bao' an District, Shenzhen).

Workersbee now has a team of over 300 professionals in research, development, production, sales, and management, with more than 240 patents, including 135 invention patents, covering power electronics, system electricals, software backend, material structures, human-machine engineering, intelligent manufacturing processes, and other fields.

The company has passed ISO 9001:2015 and IATF16949:2016 quality management systems and got TUV, CE, UKCA, UL, CQC, and other compulsory testing certifications for its products.

The Workersbee charging plugs are not only stable and durable but also exquisitely designed with waterproof, dustproof capabilities up to IP65. The current output capability is among the top level worldwide, with DC charging natural cooling up 375A and liquid cooling up to 700A. Since launched, they have received high praise from well-known automotive companies and charger makers at home and abroad. The product portfolio covers GB/T, Type2 & CCS2, Type1 & CCS1 and NACS EV connectors. The company is the first in China to adopt automated lean production of charging plugs, ensuring high quality and competitive prices, making it one of the largest makers of charging plugs in China.

Workersbee's vision is to become the "global leading EV connector solution provider" and to achieve excellence in its products. It has established overseas headquarters in Utrecht, the Netherlands. With a focus on China while expanding overseas, the company aims to provide high-performance refined products and outstanding services to global users.



Milestone



Certifications

Workersbee® has been granted a number of invention patents, utility model patents and design patents, and has registered trademarks in China, Europe, North America, among other regions.

The company has passed IATF16949 and ISO9001 quality management system certifications. It has also passed authoritative certifications for its products, including CE, TUV, RoHS, CB, UKCA, UL, etc.



Invention Patent Certification **60+**



Certification of Outstanding Brand Achievement **100+**

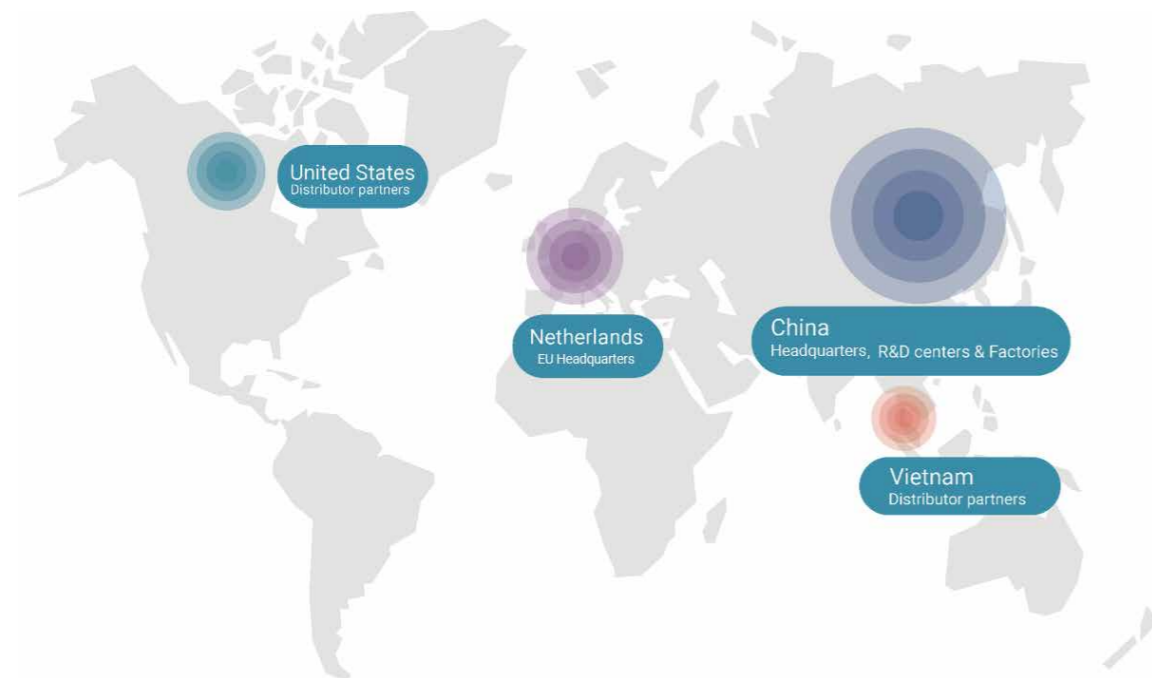


Software Copyright Certification **40+**



TUV/UL/CE and other Product Certificates **200+**

Our Markets



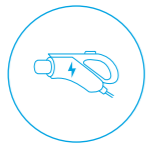
Our Advantages

- Innovation Driven by Integrated R&D, Production, and Quality Excellence;
- Trusted Partner for Leading OEMs;
- Alibaba Global Premium Merchant;
- Co-Founded by Dr. Yang Tao, a renowned expert in electrical power engineering;
- Extensive international sales experience, driving growth through innovative brand and channel strategies.

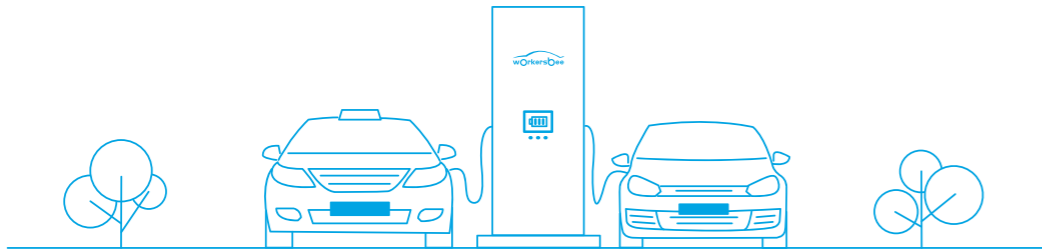


Our Partners

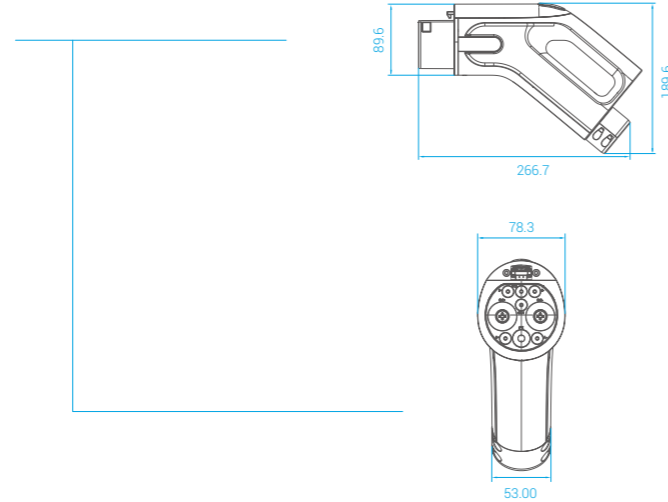




EV Connector-Plugs



G4.0 GBT High-power DC - Liquid Cooling



Cable Specification

| Model NO. | Max Current | Cable Specification | Cable Material | Outer Cable Diameter | Liquid Cooling |
|-------------|-------------|---|----------------|----------------------|----------------|
| WB-GC-DC4.0 | 600A | 4x25+1x6+2x2.5+2x0.75(P2)+3x0.5(P2)+5x0.5 | TPU | 30.0mm | YES |
| | 400A | 2x16+1x6+2x2.5+2x0.75(P2)+3x0.5(P2)+5x0.5 | TPU | 26.5mm | |

Product Parameters

| | | | | |
|---|---|-----------|--|-----------|
| Rated Voltage | 250V / 480V | | | |
| Withstand Voltage | 3500VAC, leakage<5mA | | | |
| Insulation Resistance | >500MΩ | | Compliant with GB/T11918.1-2014 under thermal conditions | |
| Temperature Rise | <50K | | | |
| Insertion & Withdrawal Force | <140N | | | |
| Plug Lifespan | >10000 mating cycles | | | |
| Protection Rating | IP67 | | | |
| Flammability Rating | UL94V-0 | | | |
| Enclosure Color | White/ Black | | | |
| Operating Temperature | -30°C- +50°C | | | |
| Operating Altitude | <4000m | | | |
| Coolant Medium | Water cooling model: water+glycol Oil cooling model: silicone oil | | | |
| Coolant Capacity | Approx. 2.5L (5m cable) | | | |
| Coolant Pressure | Approx. 3.5-8bar | | | |
| Coolant Flow Rate | 1.5-3L/min | | | |
| Liquid Cooling System Power Consumption | <160W | | | |
| Liquid Cooling System Noise Output | <60dB | | | |
| Heat Exchange Rate | 170W@300A | 255W@400A | 374W@500A | 530W@600A |
| Warranty | 24 months | | | |

G4.0 GBT High-power DC - Natural Cooling



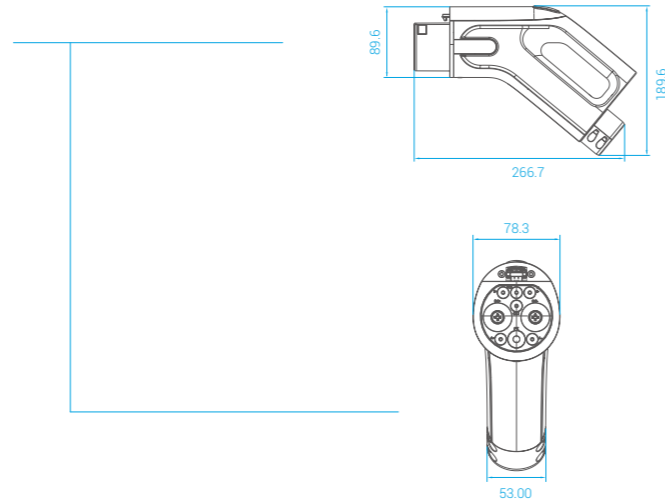
Cable Specification

| Model NO. | Max Current | Cable Specification | Cable Material | Outer Cable Diameter | Liquid Cooling |
|-------------|-------------|----------------------------------|----------------|----------------------|----------------|
| WB-GC-DC4.0 | 250A | 4x35+1x6+2x2.5+3x0.75(P2)+7x0.75 | TPU | 33.5mm | NO |

Product Parameters

| | |
|-----------------------------------|----------------------|
| Rated Current | 250A DC |
| Rated Voltage | 1000V DC |
| Withstand Voltage | 3500VAC, leakage<5mA |
| Insulation Resistance | >500MΩ |
| Temperature Rise | <50K |
| Insertion & Withdrawal Force | <140N |
| Plug Lifespan | >10000 mating cycles |
| Protection Rating | IP55 |
| Flammability Rating | UL94V-0 |
| Operating Environment Temperature | -30°C- +50°C |
| Altitude | <4000m |
| Enclosure Color | White/ Black |
| Cable Length | 5m or more |
| Warranty | 24 months |

G4.0 GBT Medium-power DC - Natural Cooling



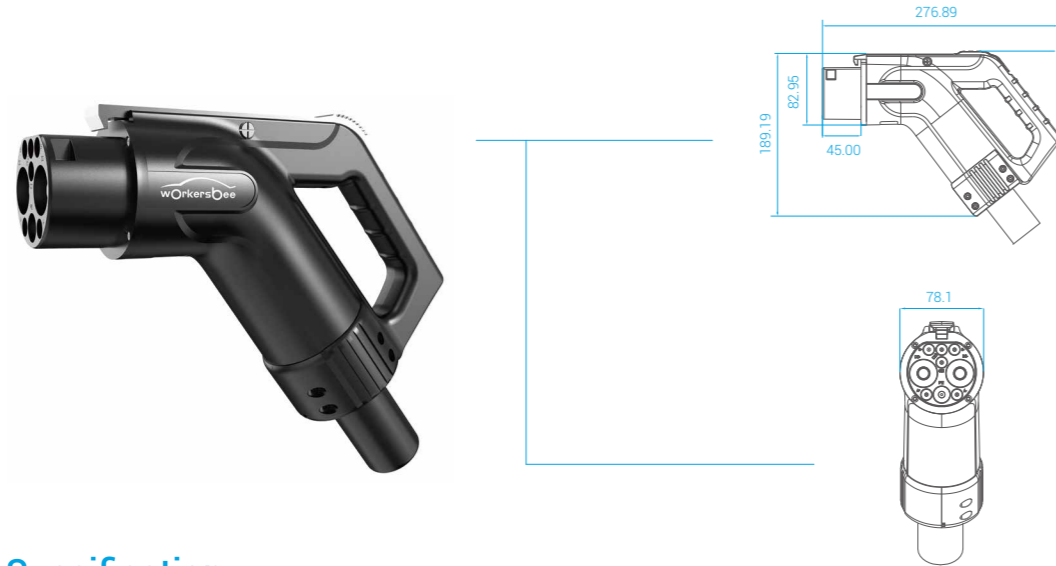
Cable Specification

| Model No. | Rated Current | Cable Specification | Cable Material | Outer Cable Diameter | Liquid Cooling |
|-------------|---------------|----------------------------------|----------------|----------------------|----------------|
| WB-GC-DC4.0 | 200A | 4x25+1x6+2x2.5+3x0.75(P2)+7x0.75 | TPU | 29.0mm | NO |
| | 150A | | | | |
| | 125A | 2x35+1x6+2x2.5+3x0.75(P2)+7x0.75 | TPU | 27.0mm | |
| | 80A | 2x25+1x6+2x2.5+3x0.75(P2)+7x0.75 | TPU | 26.0mm | |

Product Parameters

| | |
|-----------------------------------|----------------------|
| Rated Current | 80-200A DC |
| Rated Voltage | 1000V DC |
| Withstand Voltage | 3500VAC, leakage<5mA |
| Insulation Resistance | >500MΩ |
| Temperature Rise | <50K |
| Insertion & Withdrawal Force | <140N |
| Plug Lifespan | >10000 mating cycles |
| Protection Rating | IP55 |
| Flammability Rating | UL94V-0 |
| Operating Environment Temperature | -30°C- +50°C |
| Altitude | <4000m |
| Enclosure Color | White/ Black |
| Cable Length | 5m or more |
| Warranty | 24 months |

G2.0 GBT Medium-power DC - Natural Cooling



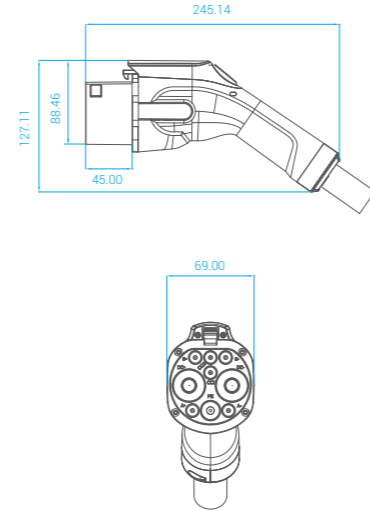
Cable Specification

| Model No. | Rated Current | Cable Specification | Cable Material | Outer Cable Diameter |
|------------------|---------------|------------------------------------|----------------|----------------------|
| WB-GC-DC2.0-250A | 250A | 2x80+1x25+2x4.0+P(6x1.0)+2P(2x1.0) | TPE | 40.0mm |
| WB-GC-DC2.0-200A | 200A | 2x70+1x25+2x4.0+P(6x1.0)+2P(2x1.0) | TPE | 39.5mm |
| WB-GC-DC2.0-150A | 150A | 2x50+1x25+2x4.0+P(6x1.0)+2P(2x1.0) | TPE | 39.5mm |
| WB-GC-DC2.0-125A | 125A | 2x35+1x25+2x4.0+P(6x1.0)+2P(2x1.0) | TPE | 34.0mm |
| WB-GC-DC2.0-100A | 80/100A | 2x25+1x25+2x4.0+P(6x1.0)+2P(2x1.0) | TPE | 32.0mm |

Product Parameters

| | |
|-----------------------------------|----------------------------|
| Rated Current | 80A-250A |
| Rated Voltage | 750/1000V DC |
| Insulation Resistance | > 500MΩ |
| Contact Resistance | 0.5 mΩ Max |
| Withstand Voltage | 3500V AC |
| Flammability Rating | UL94V-0 |
| Insertion & Withdrawal Force | < 140N |
| Certification | Compulsory Testing Report |
| Mechanical Lifespan | > 10000 mating cycles |
| Protection Rating | IP54 |
| Casing Material | Thermoplastic |
| Terminal Material | Silver plated copper alloy |
| Operating Environment Temperature | -30°C- +50°C |
| Terminal Temperature Rise | < 50K |
| Warranty | 24 months |

G3.0 GBT Low-power DC



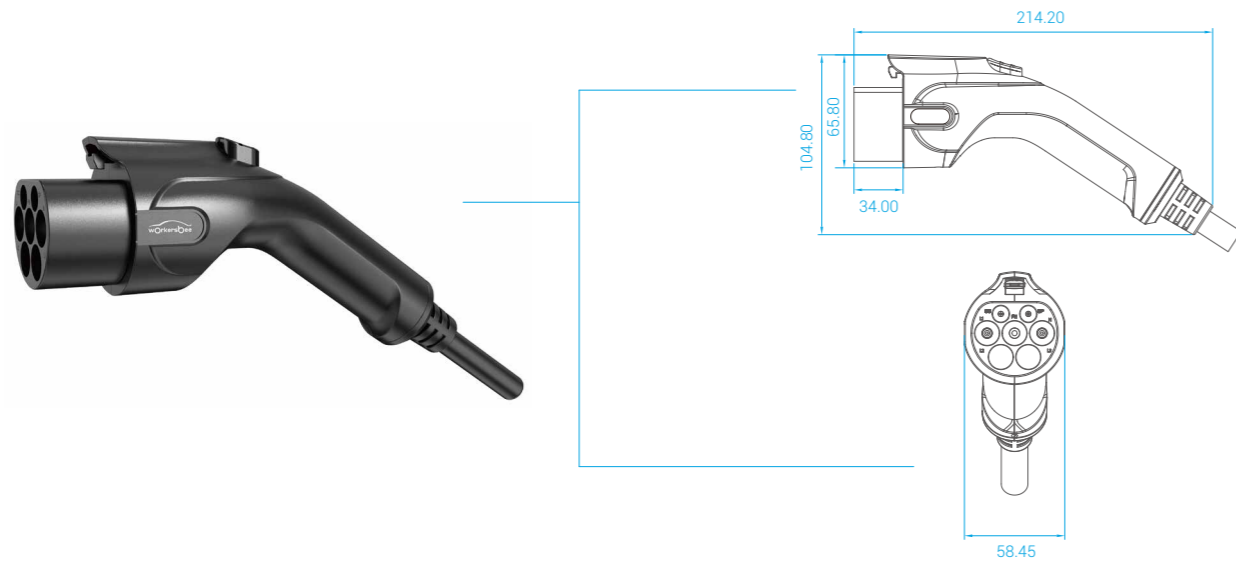
Cable Specification

| Model No. | Rated Current | Cable Specification | Cable Material | Outer Cable Diameter |
|-----------------|---------------|--|----------------|----------------------|
| WB-GC-DC3.0-80A | 80A | 2x16+1x10+2x1.5+(2x0.75)(P2)+5x0.75+(3x0.75)(P2) | TPE | 25.5mm |
| WB-GC-DC3.0-60A | 60A | 2x16+1x10+2x1.5+(2x0.75)(P2)+5x0.75+(3x0.75)(P2) | TPE | 25.5mm |
| WB-GC-DC3.0-50A | 50A | 2x10+1x6+2x1.5+(2x0.75)(P2)+5x0.75+(3x0.75)(P2) | TPE | 24.5mm |
| WB-GC-DC3.0-40A | 40A | 2x8+1x4+2x1.5+(2x0.75)(P2)+5x0.75+(3x0.75)(P2) | TPE | 24.0mm |
| WB-GC-DC3.0-32A | 32A | 2x6+1x4+2x1.5+(2x0.75)(P2)+5x0.75+(3x0.75)(P2) | TPE | 23.5mm |
| WB-GC-DC3.0-20A | 20A | 2x4+1x2.5+2x1.5+(2x0.75)(P2)+5x0.75+(3x0.75)(P2) | TPE | 22.5mm |

Product Parameters

| | |
|-----------------------------------|----------------------------|
| Rated Current | 20A-80A |
| Rated Voltage | 750/1000V DC |
| Insulation Resistance | > 500MΩ |
| Contact Resistance | 0.5 mΩ Max |
| Withstand Voltage | 3500V AC |
| Flammability Rating | UL94V-0 |
| Insertion & Withdrawal Force | < 140N |
| Certification | Compulsory Testing Report |
| Mechanical Lifespan | > 10000 mating cycles |
| Protection Rating | IP54 |
| Casing Material | Thermoplastic |
| Terminal Material | Silver plated copper alloy |
| Operating Environment Temperature | -30°C- +50°C |
| Terminal Temperature Rise | <50K |
| Warranty | 24 months |

G2.0 GBT AC



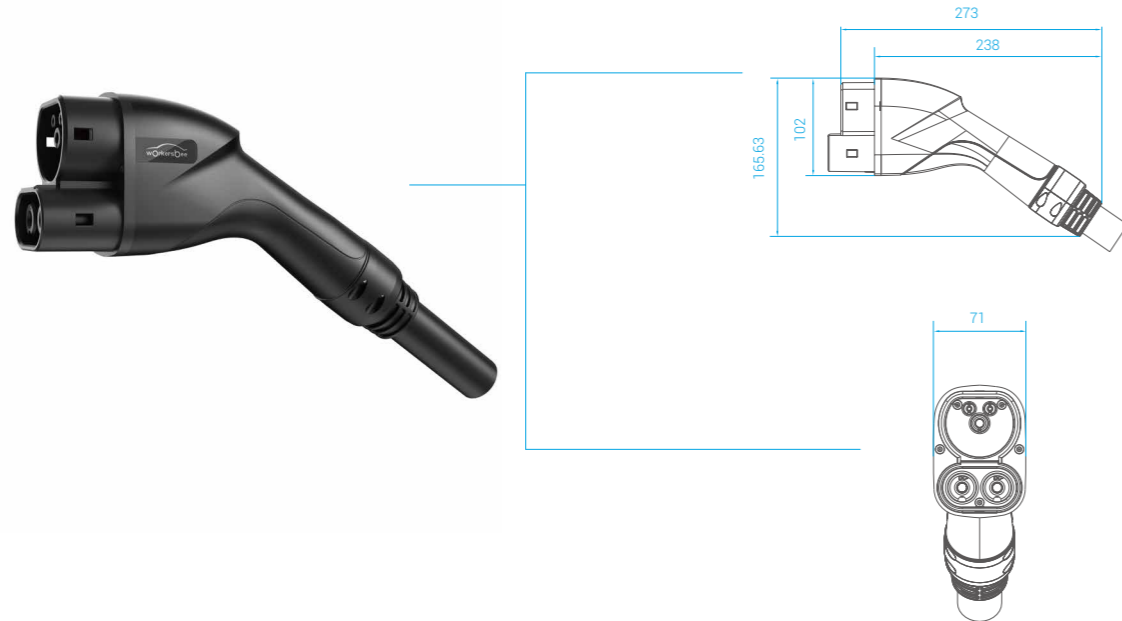
Cable Specification

| Model No. | Rated Current | Cable Specification | Cable Material | Outer Cable Diameter |
|-----------------|---------------|---------------------|----------------|----------------------|
| WB-GC-AC2.0-32A | 32A | 3x6+1x0.75 | TPE | 15.5mm |
| WB-GC-AC2.0-16A | 16A | 3x2.5+1x0.75 | TPE | 13.5mm |
| WB-GC-AC2.0-32A | 32A | 3x6+2x0.75 | TPE | 15.5mm |
| WB-GC-AC2.0-16A | 16A | 3x2.5+2x0.75 | TPE | 13.5mm |

Product Parameters

| | |
|-----------------------------------|----------------------------|
| Rated Current | 16A-32A, single phase |
| Rated Voltage | 250V AC |
| Operating Environment Temperature | -30°C- +50°C |
| Insulation Resistance | 500MΩ |
| Withstand Voltage | 2500V |
| Flammability Rating | UL94V-0 |
| Protection Rating | IP67 |
| Certification | Compulsory testing/CQC |
| Mechanical Lifespan | >10000 mating cycles |
| Temperature Rise | 16A<30K, 32A<40K |
| Insertion & Withdrawal Force | <100N |
| Enclosure Material | PC |
| Coupler Material | PA66+25%GF |
| Terminal Material | Silver-plated copper alloy |
| Wiring range | 2.5 - 6 m ² |
| Warranty | 24 months |

CCS 2 High-power DC - Liquid Cooling



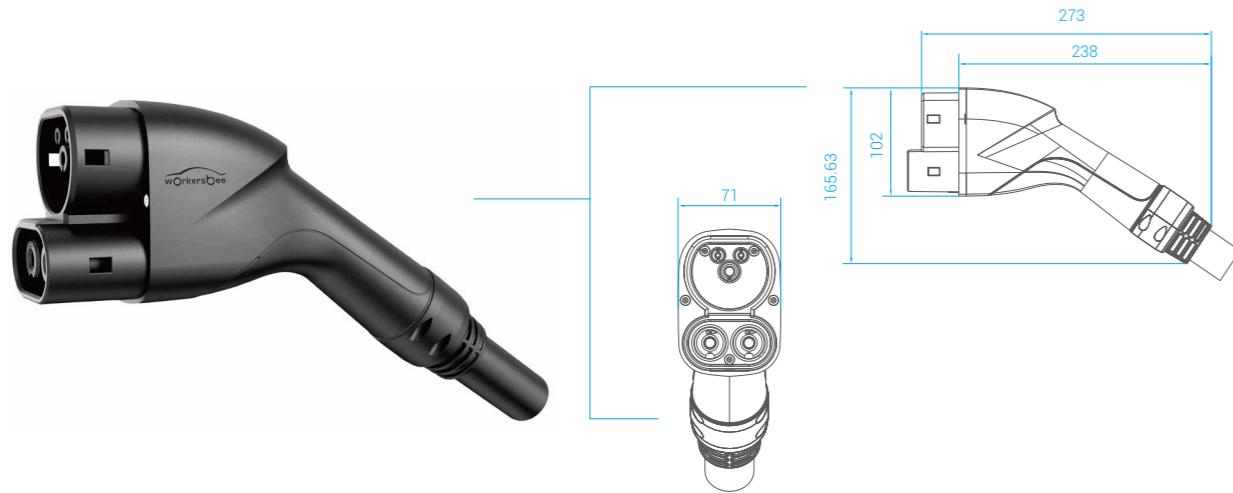
Cable Specification

| Model No. | Max Current | Cable Specification | Cable Material | Cable Outer Diameter | Liquid Cooling |
|-------------|-------------|-------------------------------------|----------------|----------------------|----------------|
| WB-IC-DC2.0 | 500A | 4x25+1x35+4x(2x0.75) (P2)+4.5-6G | TPU | 34.0mm | YES |

Product Parameters

| | |
|---|---------------------------------|
| Rated Current | 500A (700A boost mode) |
| Rated Voltage | 1000V DC |
| Insulation Resistance | 500MΩ |
| Withstand Voltage | 3500V AC |
| Flammability Rating | UL94V-0 |
| Plug Lifespan | >10000 mating cycles |
| Protection Rating | IP55 |
| Temperature Rise | <50K |
| Operating Environment Temperature | -35°C- +50°C |
| Insertion & Withdrawal Force | <100N |
| Liquid Cooling System Power Consumption | <160W |
| Enclosure Material | PC |
| Coupler Material | PA66+25%GF |
| Terminal Material | Silver-plated copper alloy |
| Coolant Medium | Silicone oil |
| Coolant Capacity | Approx. 2.5L (5m cable) |
| Coolant Pressure | Approx. 3.5-8bar |
| Coolant Flow Rate | 1.5-3L/min |
| Heat Exchange Rate | 170W@300A, 255W@400A, 374W@500A |
| Liquid Cooling System | 374W@500A |
| Noise Output | <60dB |
| Warranty | 24 months |

CCS 2 DC - Natural Cooling



Cable Specification

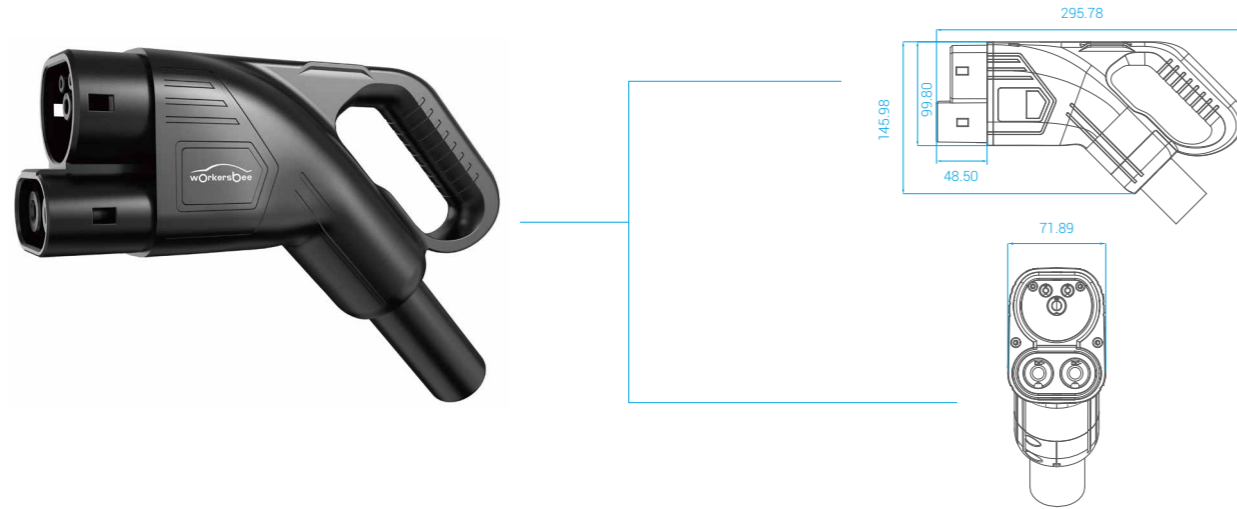
| Model No. | Rated Current | Cable Specification | Cable Material | Outer Cable Diameter | Liquid Cooling |
|-------------|---------------------|--|----------------|----------------------|----------------|
| WB-IC-DC2.0 | 250A (Peak 350A) | 2x70+35+2x0.75(P2)+2x(2x0.75) 2x70+35+2x(2x0.75)(P2)+2x(2x0.75) | TPU | 34.0mm | NO |
| | 200A | | | | |
| | 150A | 2x50+1x25+6x0.75 | | | |
| | 125A | 2x35+1x25+6x0.75 | | | |
| | 80A | 2x16+1x16+6x0.75 | | | |
| | 60A | | | | |
| | 40A | 2x10+1x6+3x(2x0.75)(P2) | | | |
| | 32A | 2x6+1x6+3x(2x0.75)(P2) | | | |



Product Parameters

| | |
|-----------------------------------|----------------------------|
| Rated Current | 32-250A |
| Rated Voltage | 1000V DC |
| Insulation Resistance | 500MΩ |
| Withstand Voltage | 3500V AC |
| Flammability Rating | UL94V-0 |
| Plug Lifespan | >10000 Mating Cycles |
| Protection Rating | IP55 |
| Enclosure Material | PC |
| Coupler Material | PA66+25%GF |
| Terminal Material | Silver-plated copper alloy |
| Insertion & Withdrawal Force | < 100N |
| Temperature Rise | < 50K |
| Operating Environment Temperature | -35°C- +50°C |
| Warranty | 24 months |

G1.1 CCS 2 High-power DC - Natural Cooling



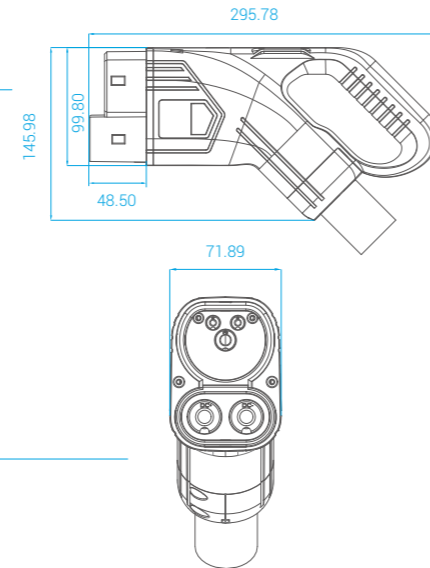
Cable Specification

| Model No. | Rated Current | Cable Specification | Cable Material | Outer Cable Diameter |
|------------------|---------------|-----------------------------------|----------------|----------------------|
| WB-IC-DC1.1-375A | 375A | 4x60+35+2x(2x0.75)(P2)+2x(2x0.75) | TPU | 40.0mm |
| WB-IC-DC1.1-350A | 350A | 4x60+35+2x(2x0.75)(P2)+2x(2x0.75) | TPU | 40.0mm |
| WB-IC-DC1.1-300A | 300A | 4x50+35+2x(2x0.75)(P2)+2x(2x0.75) | TPU | 37.0mm |
| WB-IC-DC1.1-250A | 250A | 2x70+35+2x(2x0.75)(P2)+2x(2x0.75) | TPU | 34.0mm |

Product Parameters

| | |
|-----------------------------------|----------------------------|
| Rated Current | 250-375A |
| Rated Voltage | 1000V DC |
| Insulation Resistance | >500MΩ |
| Contact Resistance | 0.5 mΩ Max |
| Withstand Voltage | 3500V AC |
| Flammability Rating | UL94V-0 |
| Mechanical Lifespan | >10000 Mating Cycles |
| Protection Rating | IP55 |
| Casing Material | Thermoplastic |
| Terminal Material | Silver-plated copper alloy |
| Operating Environment Temperature | -35°C to +50°C |
| Terminal Temperature Rise | <50K |
| Insertion & Withdrawal Force | <100N |
| Certification | TUV / CE |
| Warranty | 24 months |

G1.0 CCS 2 Medium-power DC - Natural Cooling



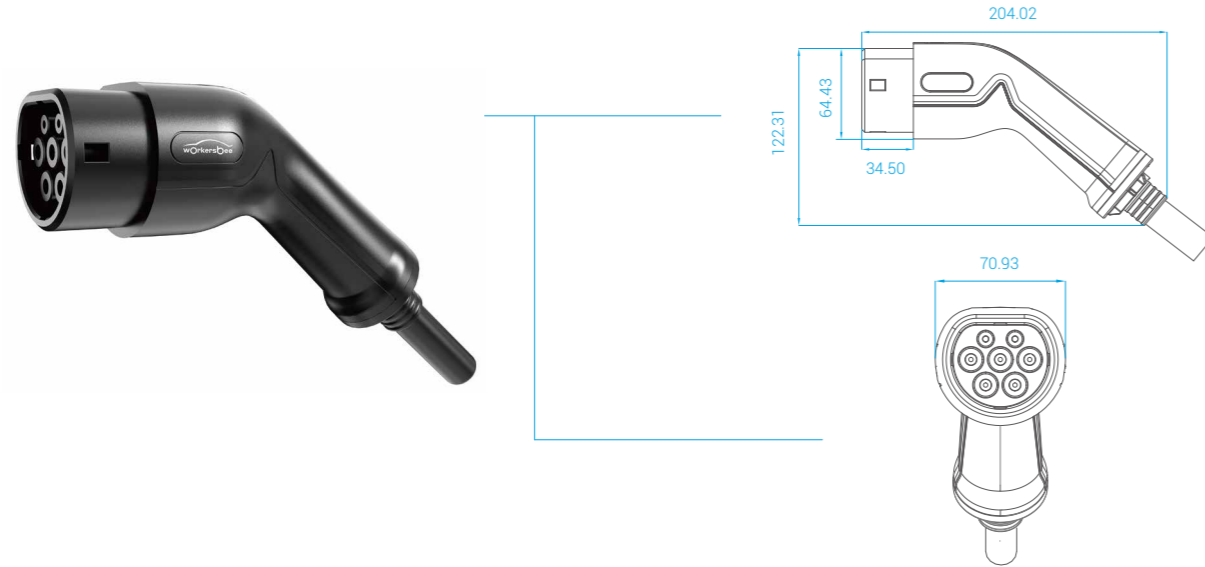
Cable Specification

| Model No. | Rated Current | Cable Specification | Cable Material | Outer Cable Diameter |
|------------------|---------------|---------------------------------|----------------|----------------------|
| WB-IC-DC1.0-200A | 200A | 2x70+1x35+3(2x0.75) | TPU | 34.0mm |
| WB-IC-DC1.0-150A | 150A | 2x50+1x25+3(2x0.75) | TPU | 30.0mm |
| WB-IC-DC1.0-125A | 125A | 2x35+1x25+3(2x0.75) | TPU | 26.7mm |
| WB-IC-DC1.0-80A | 80A | 2*16+1x16+2*0.75(P2)+2*(2*0.75) | TPU | 20.5mm |

Product Parameters

| | |
|-----------------------------------|----------------------------|
| Rated Current | 80A-200A |
| Rated Voltage | 1000V DC |
| Insulation Resistance | >500MΩ |
| Contact Resistance | 0.5 mΩ Max |
| Withstand Voltage | 3500V |
| Flammability Rating | UL94V-0 |
| Mechanical Lifespan | >10000 Mating Cycles |
| Protection Rating | IP55 |
| Casing Material | Thermoplastic |
| Terminal Material | Silver-plated copper alloy |
| Operating Environment Temperature | -35°C- +50°C |
| Terminal Temperature Rise | <50K |
| Insertion & Withdrawal Force | <100N |
| Certification | TUV / CE / CB / UKCA |
| Warranty | 24 months |

G1.0 Type 2 AC



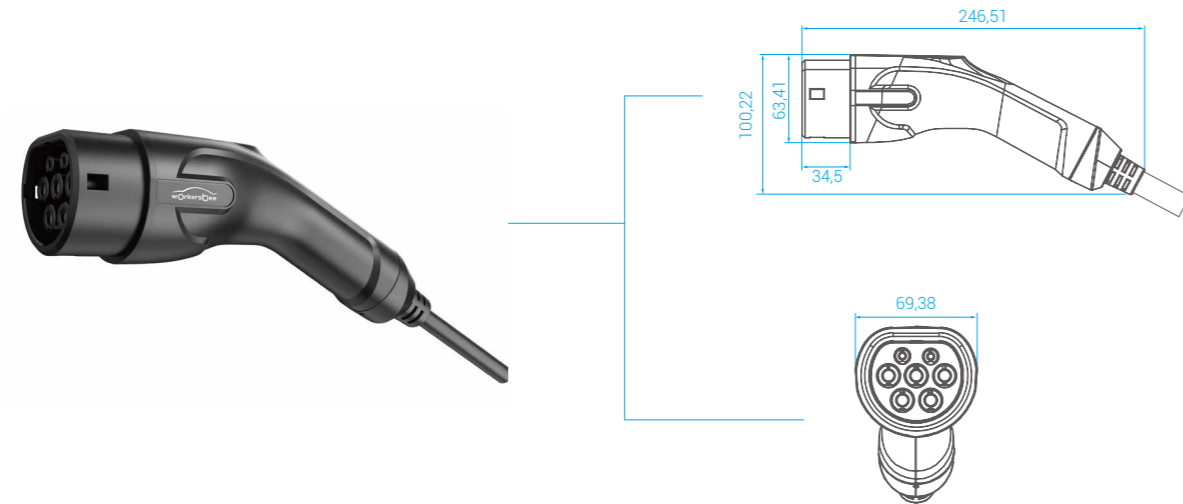
Cable Specification

| Model No. | Rated Current | Cable Specification | Cable Material | Outer Cable Diameter |
|------------------|-------------------|---------------------|----------------|----------------------|
| WB-IC-AC1.0-32AS | 32A(Single Phase) | 3x6+1x0.5 | TPU | 13.5mm |
| WB-IC-AC1.0-32AT | 32A(Three phase) | 5x6+1x0.5 | TPU | 16.8mm |
| WB-IC-AC1.0-16AS | 16A(Single Phase) | 3x2.5+1x0.5 | TPU | 11.7mm |
| WB-IC-AC1.0-16AT | 16A(Three phase) | 5x2.5+1x0.5 | TPU | 13.5mm |

Product Parameters

| | |
|-----------------------------------|--------------------------------------|
| Rated Current | 16A/32A, single phase or three phase |
| Rated Voltage | 250V/ 480V AC |
| Insulation Resistance | > 500MΩ |
| Contact Resistance | 0.5 mΩ Max |
| Withstand Voltage | 2000V |
| Flammability Rating | UL94V-0 |
| Mechanical Lifespan | > 10000 Mating Cycles |
| Protection Rating | IP55 |
| Casing Material | Thermoplastic |
| Terminal Material | Silver-plated copper alloy |
| Operating Environment Temperature | -30°C- +50°C |
| Certification | UKCA / CB/ TUV/ CE |
| Warranty | 24 months |

G2.1 Type 2 AC



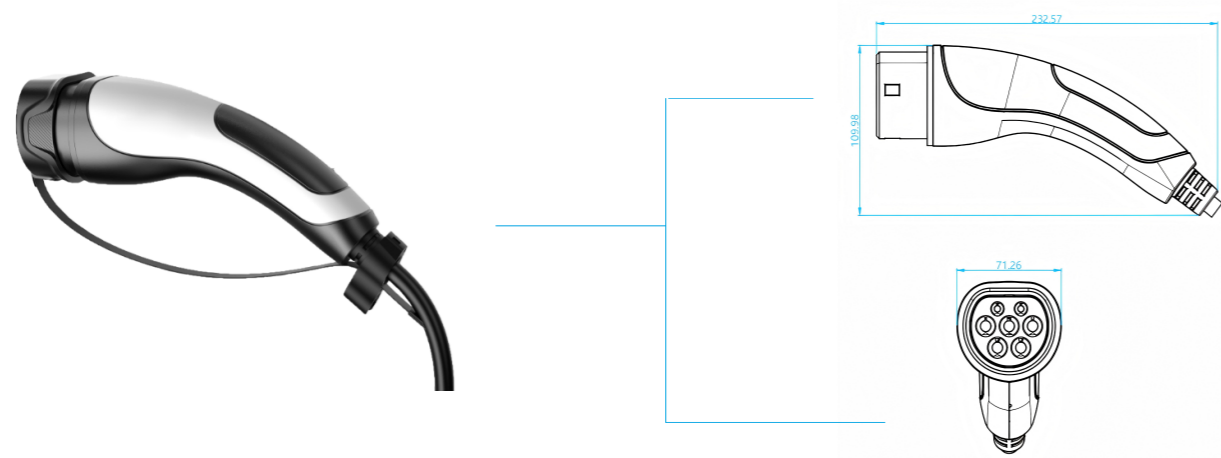
Cable Specification

| Model No. | Rated Current | Cable Specification | Cable Material | Outer Cable Diameter |
|------------------|-------------------|---------------------|----------------|----------------------|
| WB-IC-AC2.0-32AS | 32A(Single Phase) | 3x6+1x0.5 | TPU | 13.5mm |
| WB-IC-AC2.0-32AT | 32A(Three phase) | 5x6+1x0.5 | TPU | 16.8mm |
| WB-IC-AC2.0-20AS | 20A(Single Phase) | 3x2.5+1x0.5 | TPU | 11.7mm |
| WB-IC-AC2.0-20AT | 20A(Three phase) | 5x2.5+1x0.5 | TPU | 13.5mm |
| WB-IC-AC2.0-16AS | 16A(Single Phase) | 3x2.5+1x0.5 | TPU | 11.7mm |
| WB-IC-AC2.0-16AT | 16A(Three phase) | 5x2.5+1x0.5 | TPU | 13.5mm |

Product Parameters

| | |
|-----------------------------------|--------------------------------------|
| Rated Current | 16A/32A, single phase or three phase |
| Rated Voltage | 250V/ 480V AC |
| Insulation Resistance | >500MΩ |
| Contact Resistance | 0.5 mΩ Max |
| Withstand Voltage | 2000V AC |
| Flammability Rating | UL94V-0 |
| Mechanical Lifespan | >10000 Mating Cycles |
| Protection Rating | IP55 |
| Casing Material | Thermoplastic |
| Terminal Material | Silver-plated copper alloy |
| Operating Environment Temperature | -30°C- +50°C |
| Certification | UKCA / CB/ TUV/ CE |
| Warranty | 24 months |

G2.3 Type 2 AC



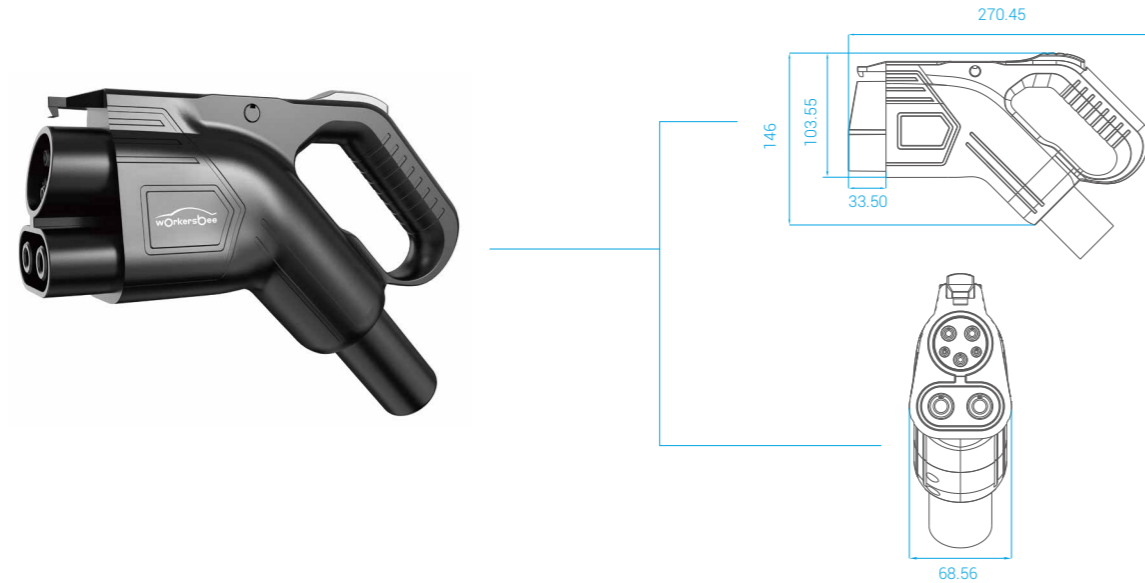
Cable Specification

| Model No. | Rated Current | Cable Specification | Cable Material | Outer Cable Diameter |
|------------------|-------------------|---------------------|----------------|----------------------|
| WB-IC-AC2.1-32AS | 32A(Single Phase) | 3x6+1x0.5 | TPU | 13.5mm |
| WB-IC-AC2.1-32AT | 32A(Three phase) | 5x6+1x0.5 | TPU | 16.8mm |
| WB-IC-AC2.1-20AS | 20A(Single Phase) | 3x2.5+1x0.5 | TPU | 11.7mm |
| WB-IC-AC2.1-20AT | 20A(Three phase) | 5x2.5+1x0.5 | TPU | 13.5mm |
| WB-IC-AC2.1-16AS | 16A(Single Phase) | 3x2.5+1x0.5 | TPU | 11.7mm |
| WB-IC-AC2.1-16AT | 16A(Three phase) | 5x2.5+1x0.5 | TPU | 13.5mm |

Product Parameters

| | |
|-----------------------------------|--------------------------------------|
| Rated Current | 16A/32A, single phase or three phase |
| Rated Voltage | 250V/ 480V AC |
| Insulation Resistance | >500MΩ |
| Contact Resistance | 0.5 mΩ Max |
| Withstand Voltage | 2000V AC |
| Flammability Rating | UL94V-0 |
| Mechanical Lifespan | >10000 mating cycles |
| Protection Rating | IP55 |
| Casing Material | Thermoplastic |
| Terminal Material | Silver-plated copper alloy |
| Operating Environment Temperature | -30°C- +50°C |
| Certification | UKCA / CB/ TUV/ CE |
| Warranty | 24 months |

G1.0 CCS 1 DC



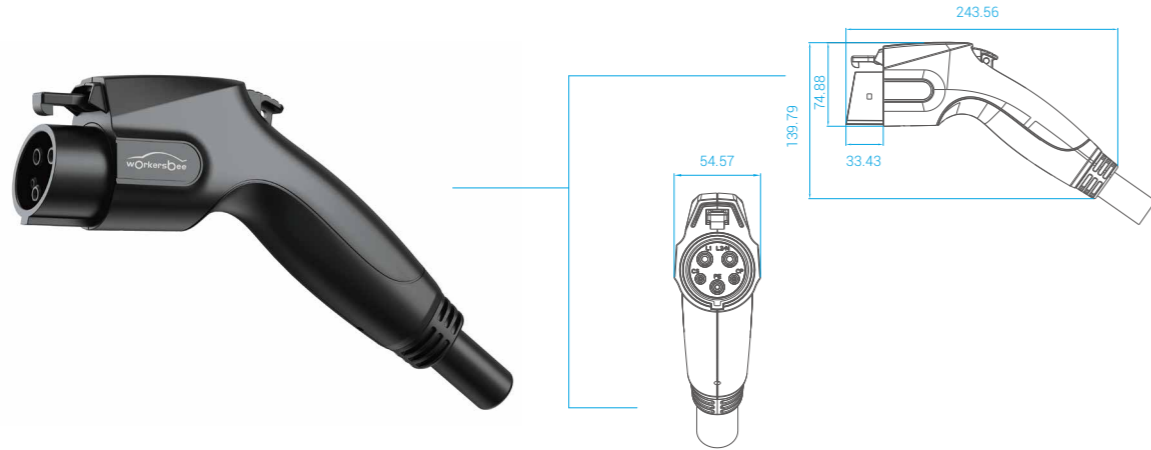
Cable Specification

| Model No. | Rated Current | Cable Specification | Cable Material | Outer Cable Diameter |
|------------------|---------------|-------------------------------------|----------------|----------------------|
| WB-SC-DC1.0-200A | 200A | 2x2/0AWG+1x6AWG+P(5x18AWG+1x18AWGP) | TPE | 40.0mm |
| WB-SC-DC1.0-150A | 150A | 2x1AWG+1x8AWG+P(5x18AWG+1x18AWGP) | TPE | 37.0mm |
| WB-SC-DC1.0-125A | 125A | 2x2AWG+1x8AWG+P(5x18AWG+1x18AWGP) | TPE | 32.0mm |
| WB-SC-DC1.0-80A | 80A | 2x5AWG+1x9AWG+P(5x18AWG+1x18AWGP) | TPE | 28.5mm |
| WB-SC-DC1.0-60A | 60A | 2x5AWG+1x9AWG+P(5x18AWG+1x18AWGP) | TPE | 28.5mm |

Product Parameters

| | |
|-----------------------------------|----------------------------|
| Rated Current | 60A-200A |
| Rated Voltage | 1000V DC |
| Insulation Resistance | >500MΩ |
| Contact Resistance | 0.5 mΩ Max |
| Withstand Voltage | 3500V AC |
| Flammability Rating | UL94V-0 |
| Mechanical Lifespan | >10000 mating cycles |
| Protection Rating | NEMA 3R |
| Casing Material | Thermoplastic |
| Terminal Material | Silver-plated copper alloy |
| Operating Environment Temperature | -40°C- +50°C |
| Terminal Temperature Rise | <50K |
| Insertion & Withdrawal Force | <100N |
| Certification | UL |
| Warranty | 24 months |

G2.0 Type 1 AC



Cable Specification

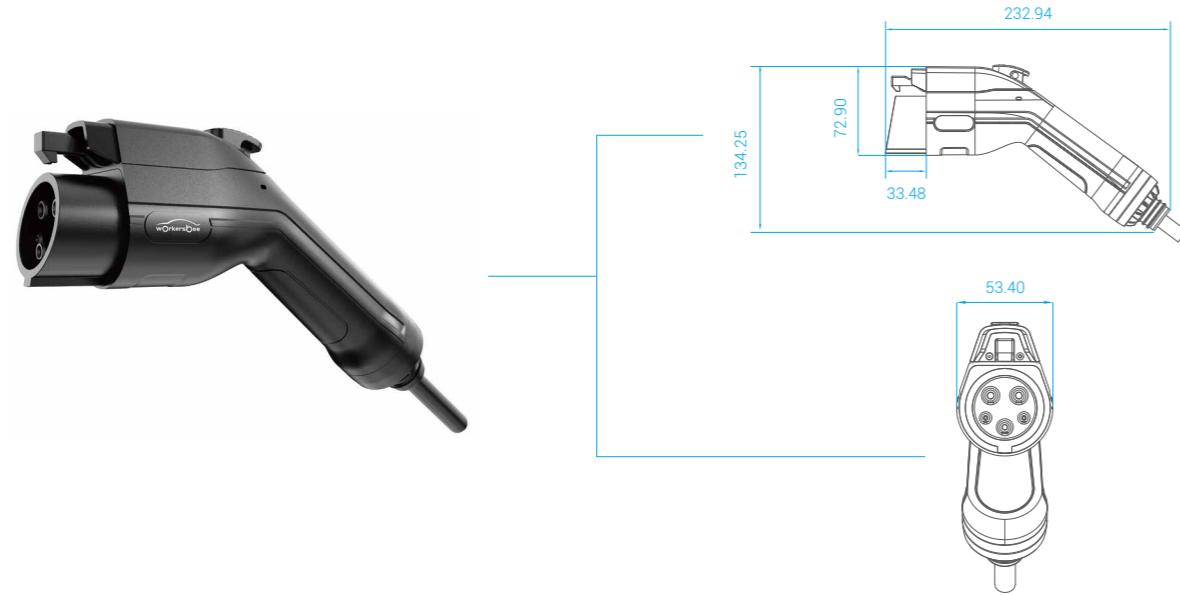
| Model No. | Rated Current | Cable Specification | Cable Material | Outer Cable Diameter |
|-----------------|---------------|-----------------------|----------------|----------------------|
| WB-SC-AC2.0-80A | 80A | 2x5AWG+1x6AWG+4x18AWG | TPE | 25.0mm |
| WB-SC-AC2.0-70A | 70A | 2x6AWG+1x6AWG+4x18AWG | TPE | 24.5mm |
| WB-SC-AC2.0-64A | 64A | 2x5AWG+1x6AWG+4x18AWG | TPE | 21.7mm |
| WB-SC-AC2.0-60A | 60A | 2x5AWG+1x6AWG+4x18AWG | TPE | 21.7mm |
| WB-SC-AC2.0-50A | 50A | 2x7AWG+1x9AWG+4x18AWG | TPE | 20.5mm |
| WB-SC-AC2.0-48A | 48A | 2x7AWG+1x9AWG+4x18AWG | TPE | 20.5mm |
| WB-SC-AC2.0-32A | 32A | 3x10AWG+1x18AWG | TPE | 16mm |



Product Parameters

| | |
|-----------------------------------|----------------------------|
| Rated Current | 32-80A |
| Rated Voltage | 110V / 240V AC |
| Insulation Resistance | >500MΩ |
| Contact Resistance | 0.5 mΩ Max |
| Withstand Voltage | 2500V |
| Flammability Rating | UL94V-0 |
| Mechanical Lifespan | >10000 mating cycles |
| Protection Rating | NEMA 3S |
| Casing Material | Thermoplastic |
| Terminal Material | Silver-plated copper alloy |
| Operating Environment Temperature | -30°C- +50°C |
| Certification | UL |
| Warranty | 24 months |

G1.0 Type 1 AC



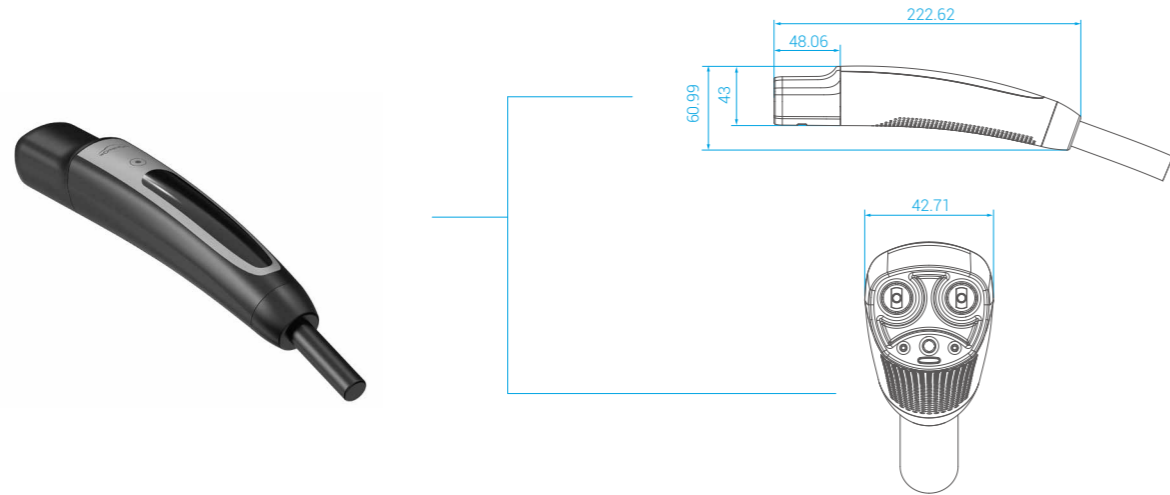
Cable Specification

| Model No. | Rated Current | Cable Specification | Cable Material | Outer Cable Diameter |
|------------------|---------------|------------------------|----------------|----------------------|
| WB-SC-AC1.0-48AS | 48A | 2x8AWG+1x10AWG+1x16AWG | TPE | 20.5mm |
| WB-SC-AC1.0-40AS | 40A | 3x9AWG+1x18AWG | TPE | 18.5mm |
| WB-SC-AC1.0-32AS | 32A | 3x10AWG+1x18AWG | TPE | 16.0mm |
| WB-SC-AC1.0-16AS | 16A | 3x14AWG+1x18AWG | TPE | 14.3mm |

Product Parameters

| | |
|-----------------------------------|----------------------------|
| Rated Current | 16-48A |
| Rated Voltage | 110V / 240V AC |
| Insulation Resistance | > 500MΩ |
| Contact Resistance | 0.5 mΩ Max |
| Withstand Voltage | 2000V AC |
| Flammability Rating | UL94V-0 |
| Mechanical Lifespan | > 10000 mating cycles |
| Protection Rating | IP55/NEMA 3R |
| Casing Material | Thermoplastic |
| Terminal Material | Silver-plated copper alloy |
| Operating Environment Temperature | -30°C- +50°C |
| Certification | UL |
| Warranty | 24 months |

NACS Light - AC & DC



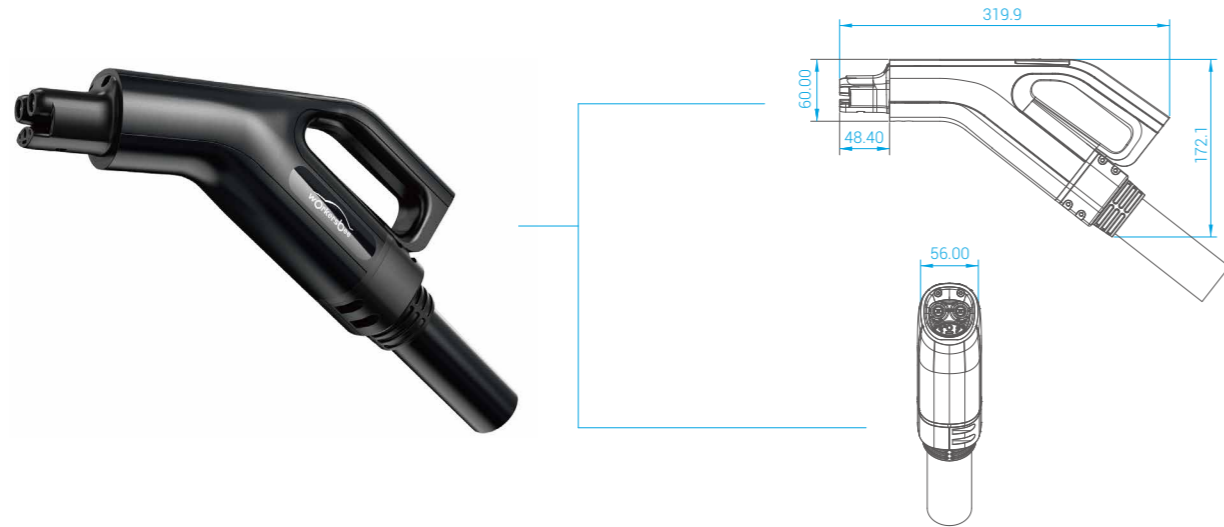
Cable Specification

| Model No. | Rated Current | Cable Specification | Cable Material | Outer Cable Diameter |
|-----------------|---------------|------------------------|----------------|----------------------|
| WB-TC-AC1.0-16A | 16A | 3*14AWG+4*22AWG | TPE | 10.3mm |
| WB-TC-AC1.0-32A | 32A | 3*10AWG+4*22AWG | | 12.0mm |
| WB-TC-AC1.0-40A | 40A | 3*9AWG+7*22AWG | | 14.8mm |
| WB-TC-AC1.0-48A | 48A | 2*8AWG+1*10AWG+4*22AWG | | 14.5mm |
| WB-TC-AC1.0-50A | 50A | 2*8AWG+1*10AWG+4*22AWG | | 14.5mm |
| WB-TC-AC1.0-80A | 80A | 2*6AWG+1*8AWG+6*22AWG | | 19.5mm |
| WB-TC-DC1.0-40A | 40A | 3*9AWG+7*22AWG | | 14.8mm |
| WB-TC-DC1.0-48A | 48A | 2*8AWG+1*10AWG+4*22AWG | | 14.5mm |
| WB-TC-DC1.0-60A | 60A | 2*7AWG+1*9AWG+7*22AWG | | 16.2mm |
| WB-TC-DC1.0-80A | 80A | 2*6AWG+1*8AWG+6*22AWG | | 19.5mm |

Product Parameters

| | |
|-----------------------------------|----------------------------|
| Rated Current | AC: 16-80A DC: 40-80A |
| Rated Voltage | 120V/240V AC 1000V DC |
| Insulation Resistance | >500MΩ |
| Contact Resistance | 0.5 mΩ Max |
| Withstand Voltage | 2000V |
| Flammability Rating | UL94V-0 |
| Mechanical Lifespan | >10000 mating cycles |
| Protection Rating | TYPE 3S |
| Casing Material | Thermoplastic |
| Terminal Material | Silver-plated copper alloy |
| Operating Environment Temperature | -25°C to +55°C |
| Terminal Temperature Rise | < 50K |
| Insertion & Withdrawal Force | < 90N |
| Certification | UL2251 |
| Warranty | 24 months |

NACS High-power DC - Natural Cooling

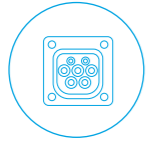


Cable Specification

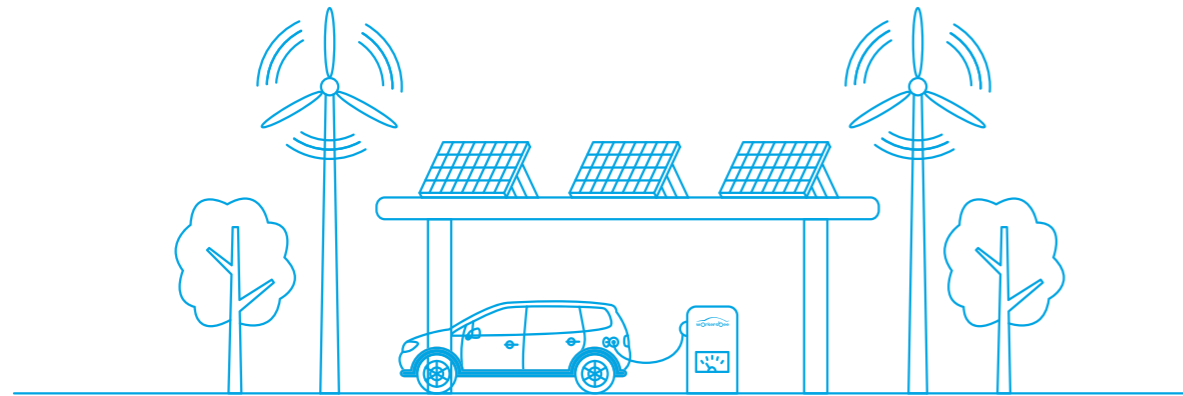
| Model No. | Rated Current | Cable Specification | Cable Material | Outer Cable Diameter |
|------------------|---------------|--|----------------|----------------------|
| WB-TC-DC1.0-200A | 200A | 4x2AWG+1*12AWG+2*18AWG(S)+4*18AWG | TPE | 30.5mm |
| WB-TC-DC1.0-250A | 250A | 4x1AWG+1*12AWG+2*18AWG(S)+4*18AWG | TPE | 32.5mm |
| WB-TC-DC1.0-300A | 300A | 4x1/0AWG+1*1*12AWG+1*18AW-G(S)+5*18AWG | TPE | 36.5mm |
| WB-TC-DC1.0-350A | 350A | 4x1/0AWG+1*12AWG+1*18AW-G(S)+5*18AWG | TPE | 36.5mm |

Product Parameters

| | |
|-----------------------------------|----------------------------|
| Rated Current | 200-350A |
| Rated Voltage | 1000V DC |
| Insulation Resistance | > 500MΩ |
| Contact Resistance | 0.5 mΩ Max |
| Withstand Voltage | 3500V AC |
| Flammability Rating | UL94V-0 |
| Mechanical Lifespan | > 10000 mating cycles |
| Protection Rating | TYPE 3S |
| Casing Material | Thermoplastic |
| Terminal Material | Silver-plated copper alloy |
| Operating Environment Temperature | -40°C to +50°C |
| Terminal Temperature Rise | < 50K |
| Insertion & Withdrawal Force | < 90N |
| Certification | UL2251 |
| Warranty | 24 months |

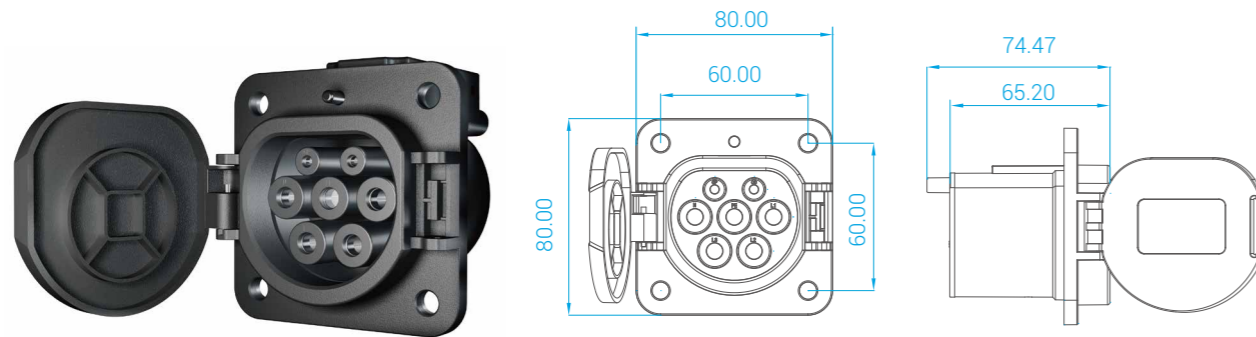


EV Connector-Sockets



Charging Socket

GBT AC EV Inlet Socket



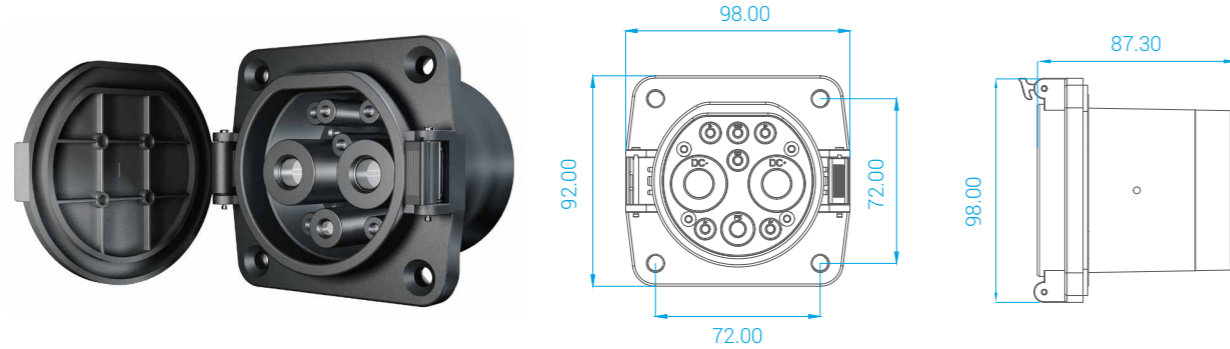
Cable Specification

| Model No. | Rated Current | Cable Specification |
|------------------|--------------------|---------------------|
| WB-GI-AC1.0-32AS | 32A (Single Phase) | 3x6+2x0.75 |
| WB-GI-AC1.0-32AT | 32A (Three phase) | 5x6+2x0.75 |
| WB-GI-AC1.0-16AS | 16A (Single Phase) | 3x2.5+2x0.75 |
| WB-GI-AC1.0-16AT | 16A (Three phase) | 5x2.5+2x0.75 |

Product Parameters

| | |
|-----------------------------------|--------------------------------------|
| Rated Current | 16A/32A, single phase or three phase |
| Rated Voltage | 250V / 480V AC |
| Insulation Resistance | >500MΩ |
| Contact Resistance | 0.5 mΩ Max |
| Withstand Voltage | 2000V |
| Protection Rating | IP55 |
| Flammability Rating | UL94V-0 |
| Mechanical Lifespan | >10000 |
| Casing Material | Thermoplastic |
| Terminal Material | Copper alloy, silver plated |
| Operating Environment Temperature | -30°C- +50°C |
| Certification | Compulsory testing report |
| Warranty | 24 months |

GB DC Inlet Socket



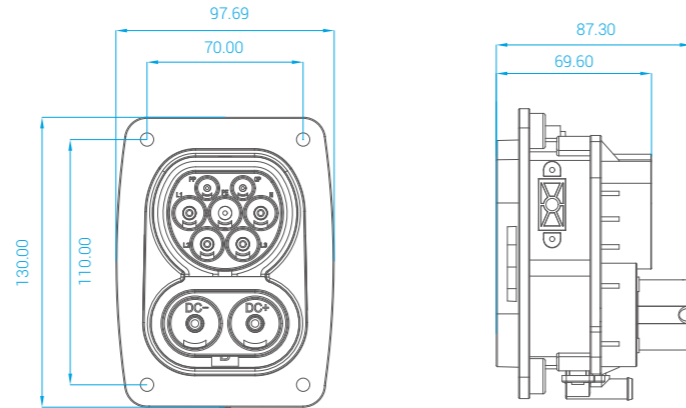
Cable Specification

| Model No. | Rated Current | Cable Specification |
|------------------|---------------|---------------------|
| WB-GI-DC1.0-250A | 250A | 2x80+1x25+2x4+7x1.0 |
| WB-GI-DC1.0-200A | 200A | 2x70+1x25+2x4+7x1.0 |
| WB-GI-DC1.0-150A | 150A | 2x50+1x25+2x4+7x1.0 |
| WB-GI-DC1.0-125A | 125A | 2x35+1x25+2x4+7x1.0 |
| WB-GI-DC1.0-80A | 80A | 2x16+1x25+2x4+7x1.0 |

Product Parameters

| | |
|-----------------------------------|-----------------------------|
| Rated Current | 80A/125A/150A/200A/250A |
| Rated Voltage | 750V/1000V DC |
| Insulation Resistance | > 500MΩ |
| Contact Resistance | 0.5 mΩ Max |
| Withstand Voltage | 3000V |
| Protection Rating | IP55 |
| Flammability Rating | UL94V-0 |
| Mechanical Lifespan | >10000 |
| Casing Material | Thermoplastic |
| Terminal Material | Copper alloy, silver plated |
| Operating Environment Temperature | -30°C- +50°C |
| Certification | Compulsory testing report |
| Warranty | 24 months |

CCS 2 DC Inlet Socket



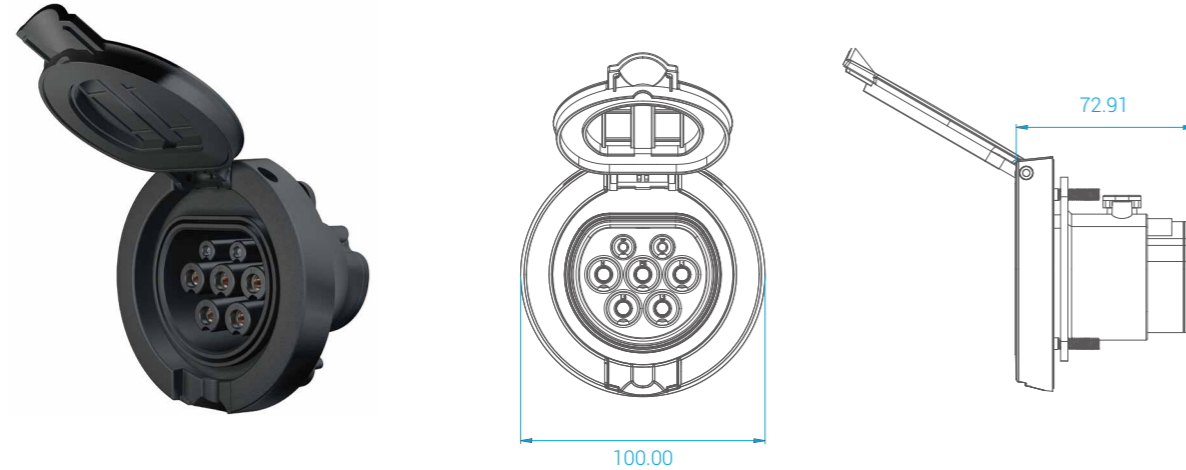
Cable Specification

| Model No. | Rated Current | Cable Specification |
|------------------|---------------|----------------------|
| WB-II-DC1.0-200A | 200A | 2x70+1x25+4x6+6x0.75 |
| WB-II-DC1.0-150A | 150A | 2x50+1x25+4x6+6x0.75 |
| WB-II-DC1.0-125A | 125A | 2x35+1x25+4x6+6x0.75 |
| WB-II-DC1.0-080A | 80A | 2x16+1x25+4x6+6x0.75 |

Product Parameters

| | | |
|-----------------------------------|-----------------------------------|-----------------------|
| Rated Current | AC 16A/32A, single or three phase | DC 80A/125A/150A/200A |
| Rated Voltage | 250V / 480V AC | 1000V DC |
| Insulation Resistance | > 500MΩ | |
| Contact Resistance | 0.5 mΩ Max | |
| Withstand Voltage | 3000V | |
| Flammability Rating | UL94V-0 | |
| Mechanical Lifespan | > 10000 | |
| Protection Rating | IP54 | |
| Casing Material | Thermoplastic | |
| Terminal Material | Copper alloy, silver plated | |
| Operating Environment Temperature | -30°C- +50°C | |
| Certification | CE | |
| Warranty | 24 months | |

G1.0 Type 2 AC Outlet Socket



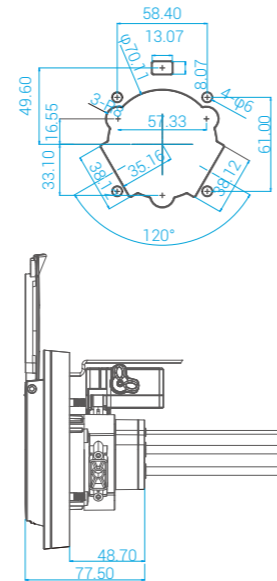
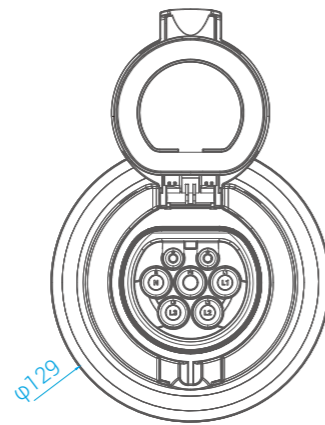
Cable Specification

| Model No. | Rated Current | Cable Specification |
|------------------|--------------------|---------------------|
| WB-IS-AC1.0-32AS | 32A (Single Phase) | 3x6+2x0.75 |
| WB-IS-AC1.0-32AT | 32A (Three phase) | 5x6+2x0.75 |
| WB-IS-AC1.0-16AS | 16A (Single Phase) | 3x2.5+2x0.75 |
| WB-IS-AC1.0-16AT | 16A (Three phase) | 5x2.5+2x0.75 |

Product Parameters

| | |
|-----------------------------------|-----------------------------|
| Rated Current | 16A/32A |
| Rated Voltage | 250V / 480V AC |
| Insulation Resistance | >500MΩ |
| Contact Resistance | 0.5 mΩ Max |
| Withstand Voltage | 2000V |
| Protection Rating | IP54 |
| Flammability Rating | UL94V-0 |
| Casing Material | Thermoplastic |
| Terminal Material | Copper alloy, silver plated |
| Operating Environment Temperature | -30°C- +50°C |
| Certification | TUV / CE / CB / UKCA |
| Mechanical Lifespan | >10000 |
| Warranty | 24 months |

Type 2 AC Outlet Socket 2.0



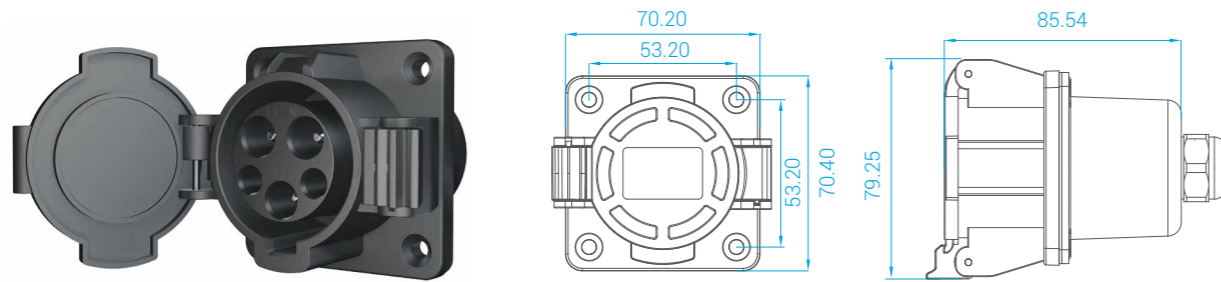
Cable Specification

| Model No. | Rated Current | Cable Specification |
|------------------|--------------------|---------------------|
| WB-IS-AC2.0-32AS | 32A (Single Phase) | 3x6+2x0.75 |
| WB-IS-AC2.0-32AT | 32A (Three phase) | 5x6+2x0.75 |
| WB-IS-AC2.0-16AS | 16A (Single Phase) | 3x2.5+2x0.75 |
| WB-IS-AC2.0-16AT | 16A (Three phase) | 5x2.5+2x0.75 |

Product Parameters

| | |
|-----------------------------------|-----------------------------|
| Rated Current | 16A/32A |
| Rated Voltage | 250V / 480V AC |
| Insulation Resistance | > 500MΩ |
| Contact Resistance | 0.5 mΩ Max |
| Withstand Voltage | 2000V |
| Protection Rating | IP54 |
| Flammability Rating | UL94V-0 |
| Casing Material | Thermoplastic |
| Terminal Material | Copper alloy, silver plated |
| Operating Environment Temperature | -30°C- +50°C |
| Certification | TUV / CE / CB |
| Mechanical Lifespan | >10000 |
| Warranty | 24 months |

Type 1 AC EV Inlet Socket



Cable Specification

| Model No. | Rated Current | Cable Specification |
|------------------|--------------------|---------------------|
| WB-SI-AC1.0-32AS | 32A (Single Phase) | 3x6+1x0.75 |
| WB-SI-AC1.0-16AS | 16A (Single Phase) | 3x2.5+1x0.75 |

Product Parameters

| | |
|-----------------------------------|-----------------------------|
| Rated Current | 16A / 32A |
| Rated Voltage | 240V AC |
| Insulation Resistance | >500MΩ |
| Contact Resistance | 0.5 mΩ Max |
| Withstand Voltage | 2000V |
| Protection Rating | IP54 |
| Flammability Rating | UL94V-0 |
| Casing Material | Thermoplastic |
| Terminal Material | Copper alloy, silver plated |
| Operating Environment Temperature | -30°C- +50°C |
| Mechanical Lifespan | >10000 |
| Warranty | 24 months |

Dummy Socket



**GB DC
Plug Holder**

Model No.: WB-GG-DC1.0



**GB AC Plug Holder
& Cable Organizer**

Model No.: WB-GG-AC2.0



**GB AC
Plug Holder**

Model No.: WB-GG-AC1.0



**Type 2 AC
Plug Holder**

Model No.: WB-IG-AC1.0

Dummy Socket



CCS 2 DC Plug Holder

Model No.: WB-IG-DC1.0



Type 2 AC Plug Holder & Cable Organizer

Model No.: WB-IG-AC2. 0



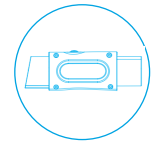
CCS 1 DC Plug Holder

Model No.: WB-SG-DC1.0

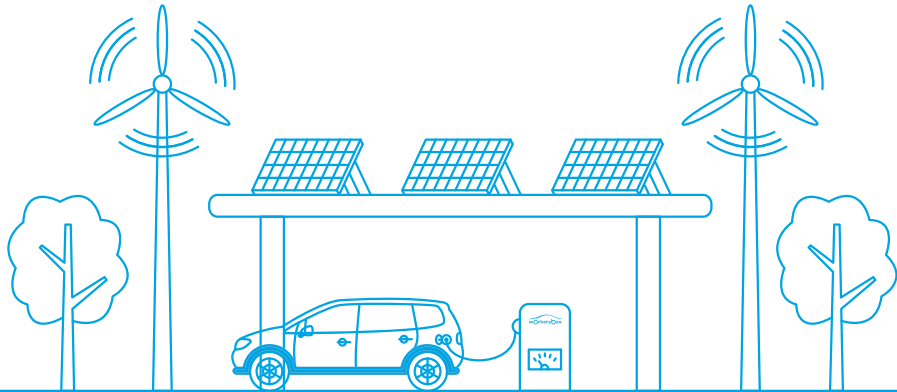


Type 1 AC Plug Holder

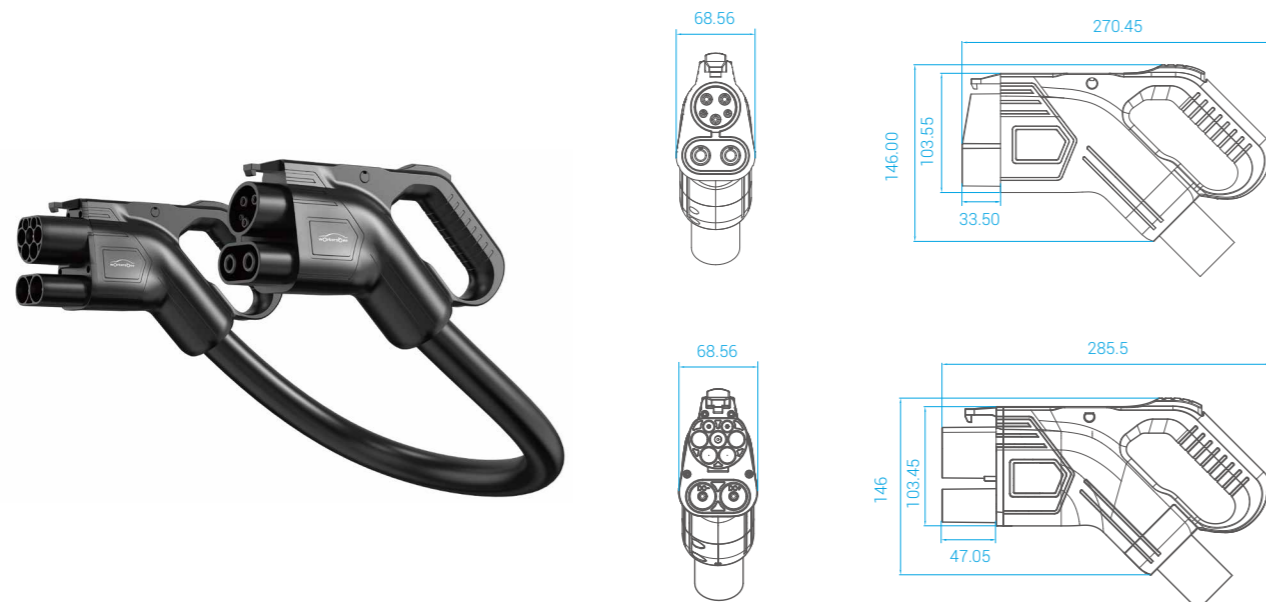
Model No.: WB-SG-AC1.0



EV Adapters



CCS2 to CCS1 EV Adapter



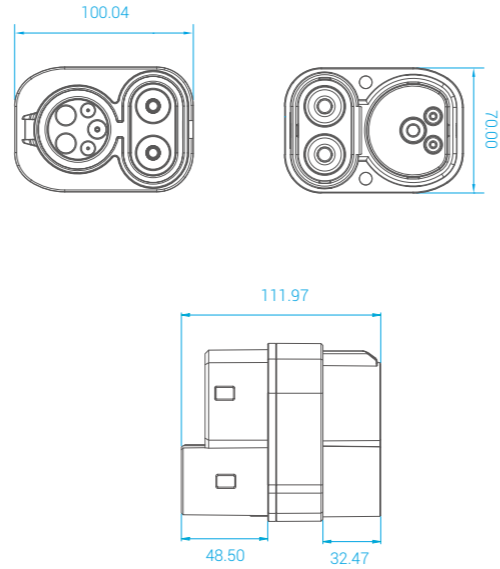
Cable Specification

| Model No. | Rated Current |
|---------------|---------------|
| WB-SAE-EV150S | 150A |

Product Parameters

| | |
|------------------------------|-----------------------------|
| Rated Current | 150A |
| Rated Voltage | 1000V DC |
| Contact Resistance | 0.5mΩ Max |
| Insertion & Withdrawal Force | < 100N |
| Operating Temperature | -30°C~+50°C |
| Insulation Resistance | > 500MΩ |
| Protection Rating | IP55 |
| Flammability Rating | UL94V-0 |
| Casing Material | Thermoplastic |
| Terminal Material | Copper alloy, silver plated |
| Plug Lifespan | > 10000 Mating Cycles |
| Certification | CE |
| Warranty | 24 months |

CCS 1 to CCS 2 EV Adapter



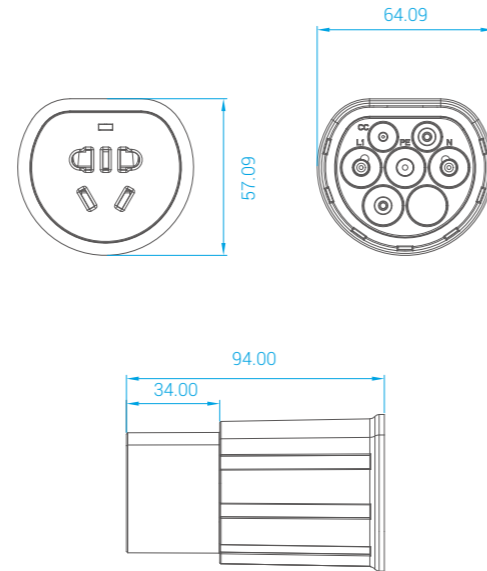
Cable Specification

| Model No. | Rated Current |
|---------------|---------------|
| WB-IEC-EV150S | 150A |

Product Parameters

| | |
|---------------------------|-----------------------------|
| Rated Current | 150A |
| Rated Voltage | 1000V DC |
| Contact Resistance | 0.5mΩ Max |
| Operating Temperature | -30°C~+50°C |
| Insulation Resistance | >500MΩ |
| Terminal Temperature Rise | < 50K |
| Protection Rating | IP55 |
| Flammability Rating | UL94V-0 |
| Casing Material | Thermoplastic |
| Terminal Material | Copper alloy, silver plated |
| Plug Lifespan | >5000 mating cycles |
| Standards | IEC62196-3: 2014 |
| Certification | CE |
| Warranty | 24 months |

GBT EV Discharge Adapter



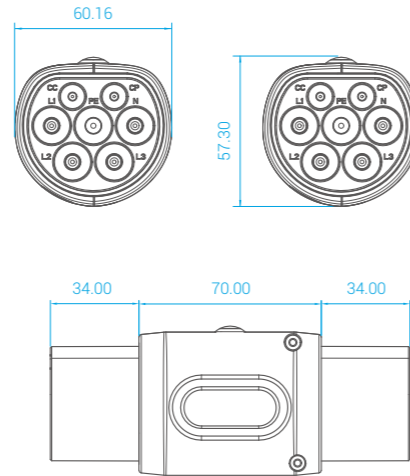
Cable Specification

| Model No. | Rated Current |
|-------------|---------------|
| WB-GB-EV10A | 10A |

Product Parameters

| | |
|---------------------------|-----------------------------|
| Rated Current | 10A |
| Rated Voltage | 220V DC |
| Contact Resistance | 10mΩ Max |
| Operating Temperature | -30°C-+50°C |
| Insulation Resistance | >5MΩ |
| Terminal Temperature Rise | <50K |
| Protection Rating | IP54 |
| Flammability Rating | UL94V-0 |
| Casing Material | Thermoplastic |
| Terminal Material | Copper alloy, silver plated |
| Plug Lifespan | >10000 mating Cycles |
| Plug Temperature Rise | <45K |
| Warranty | 24 months |

Type 2 to GBT EV Adapter



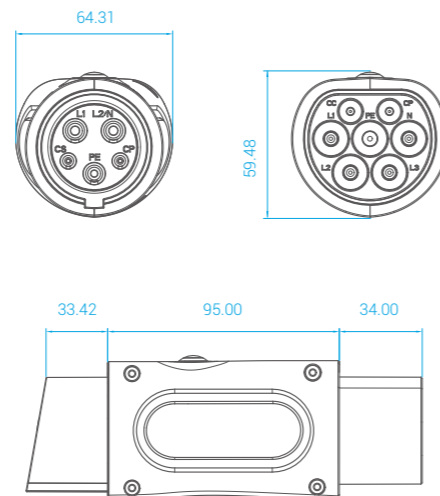
Cable Specification

| Model No. | Rated Current |
|--------------|-------------------|
| WB-GB2-EV32A | 32A, single phase |
| WB-GB2-EV32T | 32A, three phase |

Product Parameters

| | |
|------------------------------|-----------------------------|
| Rated Current | 32A |
| Rated Voltage | 250V AC / 480V AC |
| Contact Resistance | 0.5mΩ Max |
| Insulation Resistance | >5MΩ |
| Operating Temperature | -30°C-+50°C |
| Insertion & Withdrawal Force | <100N |
| Protection Rating | IP54 |
| Flammability Rating | UL94V-0 |
| Casing Material | Thermoplastic |
| Terminal Material | Copper alloy, silver plated |
| Plug Lifespan | >10000 mating cycles |
| Certification | CE |
| Warranty | 24 months |

Type 2 to Type 1 EV Adapter



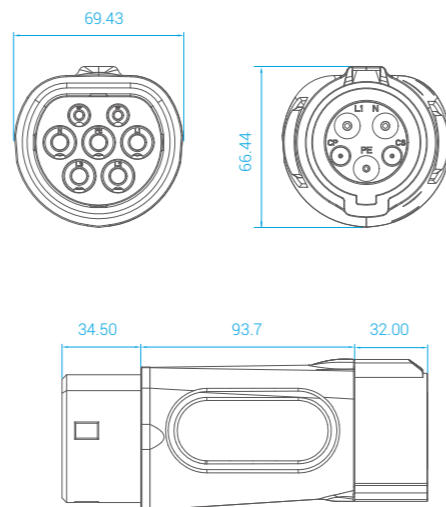
Cable Specification

| Model No. | Rated Current |
|--------------|---------------|
| WB-SAE-EV32A | 32A |

Product Parameters

| | |
|------------------------------|-----------------------------|
| Rated Current | 32A |
| Rated Voltage | 250V AC |
| Contact Resistance | 0.5mΩ Max |
| Operating Temperature | -30°C~+50°C |
| Insulation Resistance | > 10MΩ |
| Insertion & Withdrawal Force | < 100N |
| Protection Rating | IP54 |
| Flammability Rating | UL94V-0 |
| Casing Material | Thermoplastic |
| Terminal Material | Copper alloy, silver plated |
| Plug Lifespan | > 10000 mating cycles |
| Standards | EN62196-2 & SAEJ1772 |
| Certification | CE |
| Warranty | 24 months |

Type 1 to Type 2 EV Adapter



Cable Specification

| Model No. | Rated Current |
|--------------|---------------|
| WB-IEC-EV32A | 32A |

Product Parameters

| | |
|------------------------------|-----------------------------|
| Rated Current | 32A |
| Rated Voltage | 250V AC |
| Contact Resistance | 0.5mΩ Max |
| Operating Temperature | -30°C~+50°C |
| Insulation Resistance | >10MΩ |
| Insertion & Withdrawal Force | <100N |
| Protection Rating | IP54 |
| Flammability Rating | UL94V-0 |
| Casing Material | Thermoplastic |
| Terminal Material | Copper alloy, silver plated |
| Plug Lifespan | >10000 mating cycles |
| Standards | IEC62196-2 & SAE J1772 |
| Certification | CE |
| Warranty | 24 months |